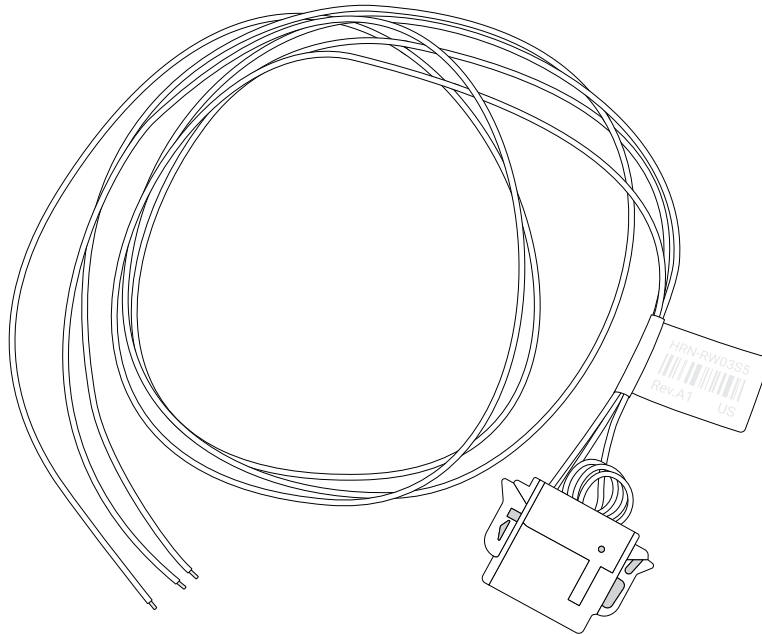


# HRN-RW03S5 (Pulse Harness) Installation Guide

## Introduction

This harness is designed for assets where you are unable to get actual engine RPM. The steps below describe the generic method for installing this type of harness when it is not possible to find true ignition.

**Figure 1:** The harness and wiring table.



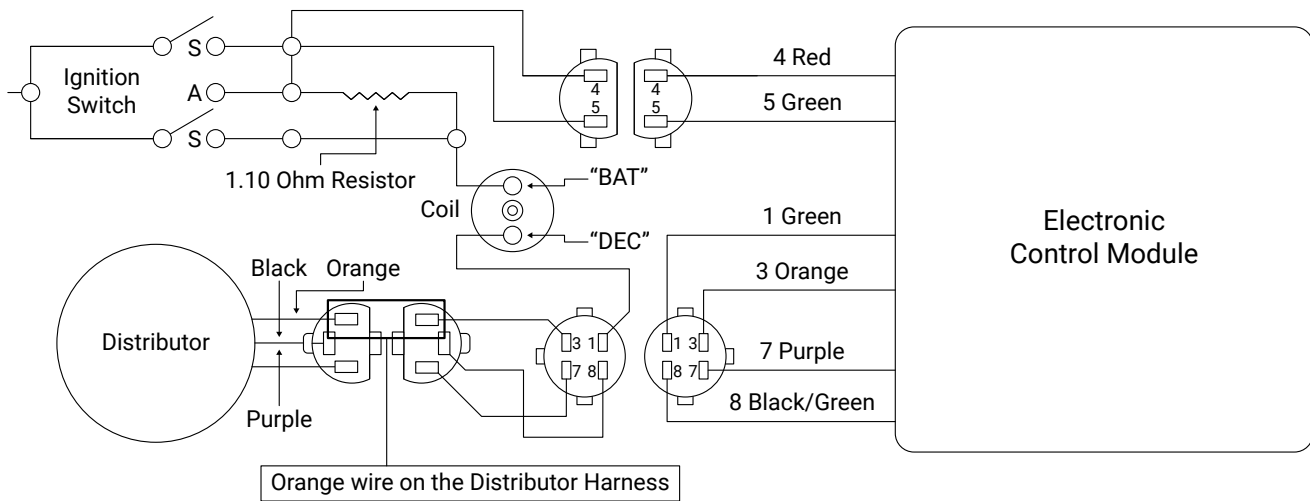
Pin number	Pin color	Pin definition
1	Black	Ground
9	Green	Pulse
12	Red	Battery

**Step 1:** Find the sources you will be using for your pulse wiring feed, constant power, and ground. In our example, the source we found is a pulse signal which is low voltage on the ignition distributor (Primary side of Distributor). Connect the green wire to this source (**Figure 1**).

**!** **NOTE:** Pulse voltage should not exceed 36 volts.

**!** **CAUTION:** Never hook up to ignition coil direct on the - + or high voltage.

**Figure 2:**



**Step 2:** Connect the red wire to constant power, and the black wire to the ground. Be sure to run the wiring away from any hazards such as engine heat and moving parts (**Figure 2**).