

Installing Your Geotab GO6™ Device

Preparing For Installation

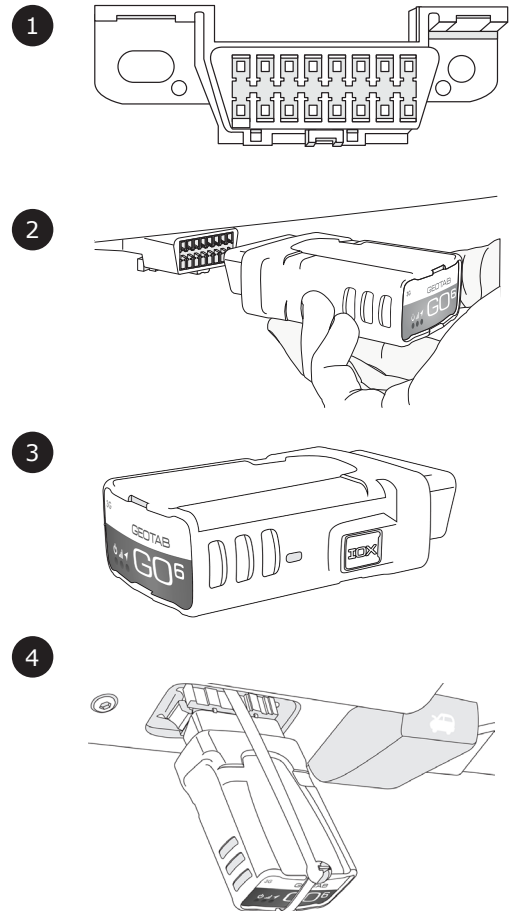
Before installing your GO6™ device, please document your serial number by placing the provided sticker in the labeled space on the right. You will need this information at a later time to verify your installation.

1. Ensure no dash warning lights are on in the vehicle while it is running, prior to installing the device.
2. Verify device compatibility with your vehicle type with your reseller.

Installation in Four Easy Steps

1. Locate the vehicle's engine diagnostic port typically found in the driver's area at or below knee level. Note: Commercial vehicles with diesel engines use a different connector system. Contact your reseller for diesel connector applications or for extension harnesses should it be necessary to locate your GO6™ device away from the engine diagnostic port location.
2. Align the receiver end of the GO6™ device with the engine diagnostic port and simply push in place, ensuring that the device is secure. You will hear 6 quick beeps and all three lights on the GO6™ device will flash briefly.
3. Start the vehicle and allow it to run for approximately 3 minutes. During this time period you will notice the Red LED will power on and illuminate on the face of the device. Shortly afterwards the Green and Blue LEDs will illuminate as the device links up with the cellular and GPS networks. This initial start-up may take several minutes to complete, and assumes the vehicle is parked outdoors.
4. Once all three LED lights have come on, secure your GO6™ device using the supplied Geotab zip tie.

Place Sticker Here:



Verify Your Installation: <http://myinstall.geotab.com>

1. Your GO6™ serial number, which can be found at the bottom of your GO6™ device, is required for this step. Navigate to <http://myinstall.geotab.com> and fill in your name, email address, and the Geotab serial number. Once complete, click Check.
2. You will now see a similar screen with green text to indicate that your installation was successfully completed. If you see red text instead, you must check the installation.

World's Only Expandable Plug-&-Play Vehicle Telematics Platform

Choosing how your company will grow in the future requires a platform that can grow with you. With the Geotab IOX™ plug-in component, you can easily expand your Geotab GO6™ device: Add a Garmin for dispatching, Iridium Satellite Modem for enhanced tracking, and a variety of other sensors and controls. Learn more by visiting www.geotab.com or contact your Authorized Geotab Reseller.

The screenshot shows a web form with the Geotab logo at the top. Below the logo are three input fields labeled 'Name:', 'Email:', and 'Serial No:'. At the bottom of the form is a black button with the text 'Check'.

Warnings and Cautions

WARNING: Mapping, navigation and tracking features available through Geotab software is dependent on third party mapping data and services and the availability and accuracy of the Global Positioning System ("GPS") operated by the United States government. Both third party data and services as well as GPS is subject to changes which may affect the accuracy or performance of mapping, navigation and tracking information or graphics presented through the use of Geotab software. Geotab products, software and services are not intended for use for primary navigation, route planning or similar purposes, as information presented may be inaccurate, delayed or misinterpreted. Relying on Geotab software for such purposes may result in incorrect navigation leading to unsafe driving situations.

WARNING: Geotab's products and related software and services are not designed or intended for use in emergency or failsafe situations including, without limitation, situations: (A) where failure of same may result in a risk of property damage, death or personal injury; (B) where Geotab's products, software or services are used to alert others upon the occurrence of certain vehicular events recorded by Geotab in-vehicle devices; or (C) requiring fail-safe controls or fail-proof delivery of information, including without limitation any operations involving radioactive or hazardous materials, life support systems or munitions or weapons. Communication features in Geotab in-vehicle devices may be interrupted or inoperable if a vehicle travels outside of a network coverage area or where there is a fault or service interruption with the carrier. Communication of data through Geotab in-vehicle devices also requires transmission of data through the internet. Failure in internet access will result in the interruption of communications.

WARNING: Do not attempt to install, reconfigure or remove any product from any vehicle while the vehicle is in motion or otherwise in operation. All installation, configuration or removal must be done only in stationary vehicles which are securely parked. Attempting to service units while being operated could result in malfunctions or accidents, leading to death or serious personal injury.

WARNING: If at any point after a Geotab in-vehicle device is installed, a warning light illuminates on the vehicle dash or the vehicle stalls or has a marked drop in performance, shut off the engine, remove the device, and contact Geotab support.

WARNING: Do not attempt to remove Geotab in-vehicle devices from the vehicle in which they are originally installed for installation in another vehicle. Not all vehicles are compatible with Geotab in-vehicle devices, and doing so may result in unexpected interactions with your vehicle, including sudden loss of power or shutdown of the vehicle's engine while in operation or cause your vehicle to operate poorly or erratically.

WARNING: All in-vehicle devices and related cabling must be securely fastened and kept clear of all vehicle controls, including gas, brake and clutch pedals. You must inspect devices and cabling on a regular basis to ensure all devices and cabling continue to be securely attached. Loose cabling or devices may impede the use of vehicle controls, resulting in unanticipated acceleration, braking or other loss of vehicle control, which could lead to death or serious personal injury. Improperly fastened in-vehicle devices may detach and impact operators upon sudden acceleration or deceleration, which may cause injury.

WARNING: Geotab requires the use of a cable tie when securing the GO device or any extension harness to the OBD connector, securing both sides of the harness. If you do not use a cable tie, vibration in the vehicle can lead to a loose connection which could indirectly cause the vehicle's engine computer to fail. This could result in the vehicle stalling and can even cause personal injury under certain circumstances if it occurs while the vehicle is being driven.

CAUTION: Geotab products do not contain any user-serviceable parts. Configuration, servicing, and repairs must only be made by an authorized Geotab reseller or installer. Unauthorized servicing of Geotab products will void your product warranty. Improper installation may also lead to short circuits and the risk of fire, leading to personal injury or significant damage to your vehicle. Installation or servicing may also require modifications to your vehicle. Failure to comply with specified procedures or without adequate knowledge of the vehicle may result in damage to your vehicle, which may cause malfunctions of vehicle controls or vehicular environmental systems and result in personal injury.

CAUTION: Geotab in-vehicle devices must be kept clear of debris, water and other environmental contaminants, failure to do so may result in units malfunctioning or short-circuiting, causing a fire hazard.

Copyright © Geotab Inc., 2012 All Rights Reserved. No part of this document may be reproduced, copied, modified or adapted without express written authorization from Geotab Inc. Geotab, Geotab GO6, Geotab IOX, GO6 and IOX are either registered trademarks or trademarks of Geotab Inc., in the United States and/or other countries. GARMIN and IRIDIUM are trademarks, respectively, of GARMIN SWITZERLAND GMBH CORPORATION and IRIDIUM SATELLITE LLC.